

Spare Parts List

GARUDAN[®]

GS-926



ANITA B, s.r.o.

Hliníky 2068

680 01 Boskovice

Czech Republic

fax: +420 516 452751

tel: +420 516454774,

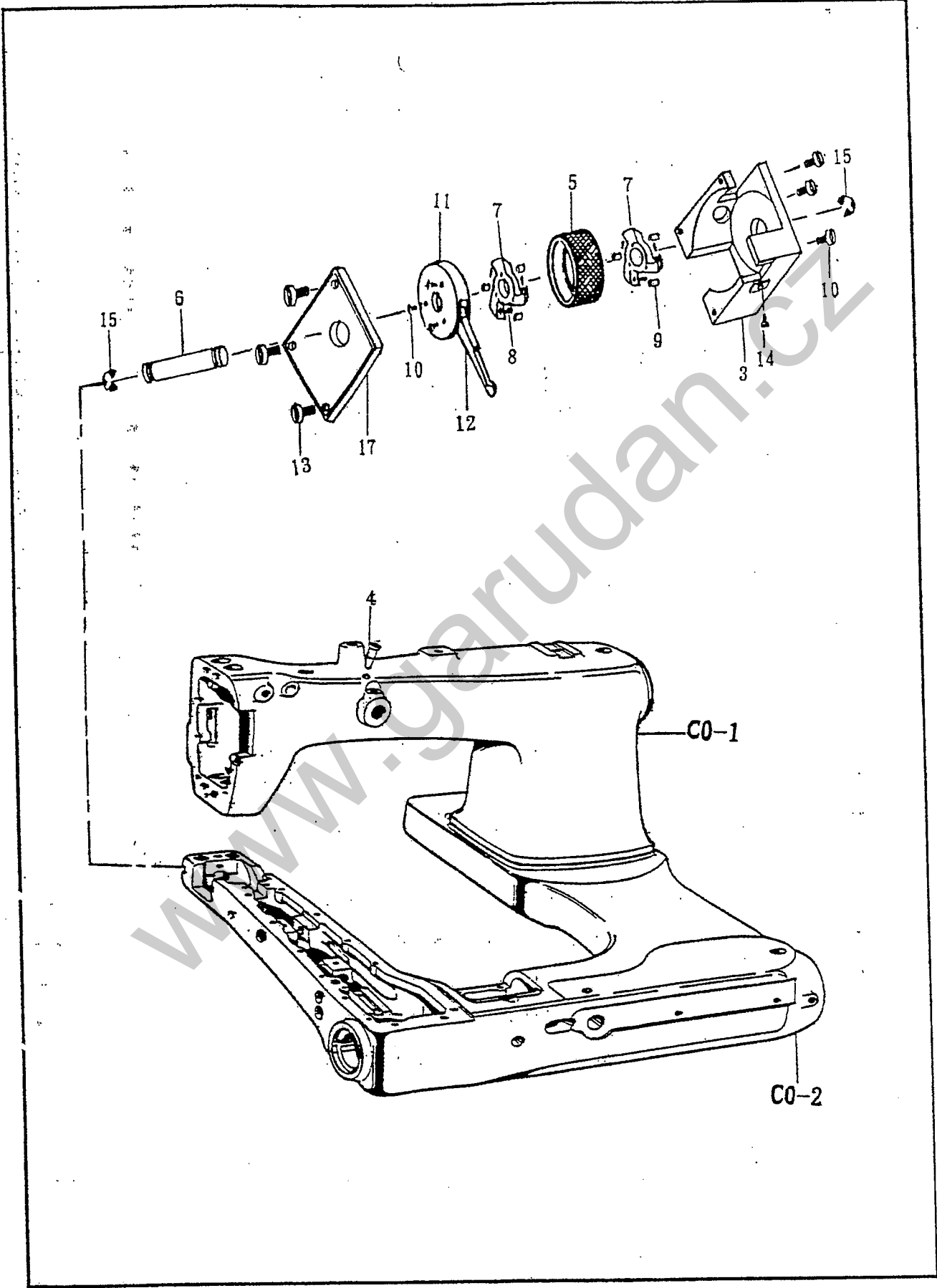
+420 516453496

e-mail: info@anita.cz

www.garudan.cz

CONTENTS

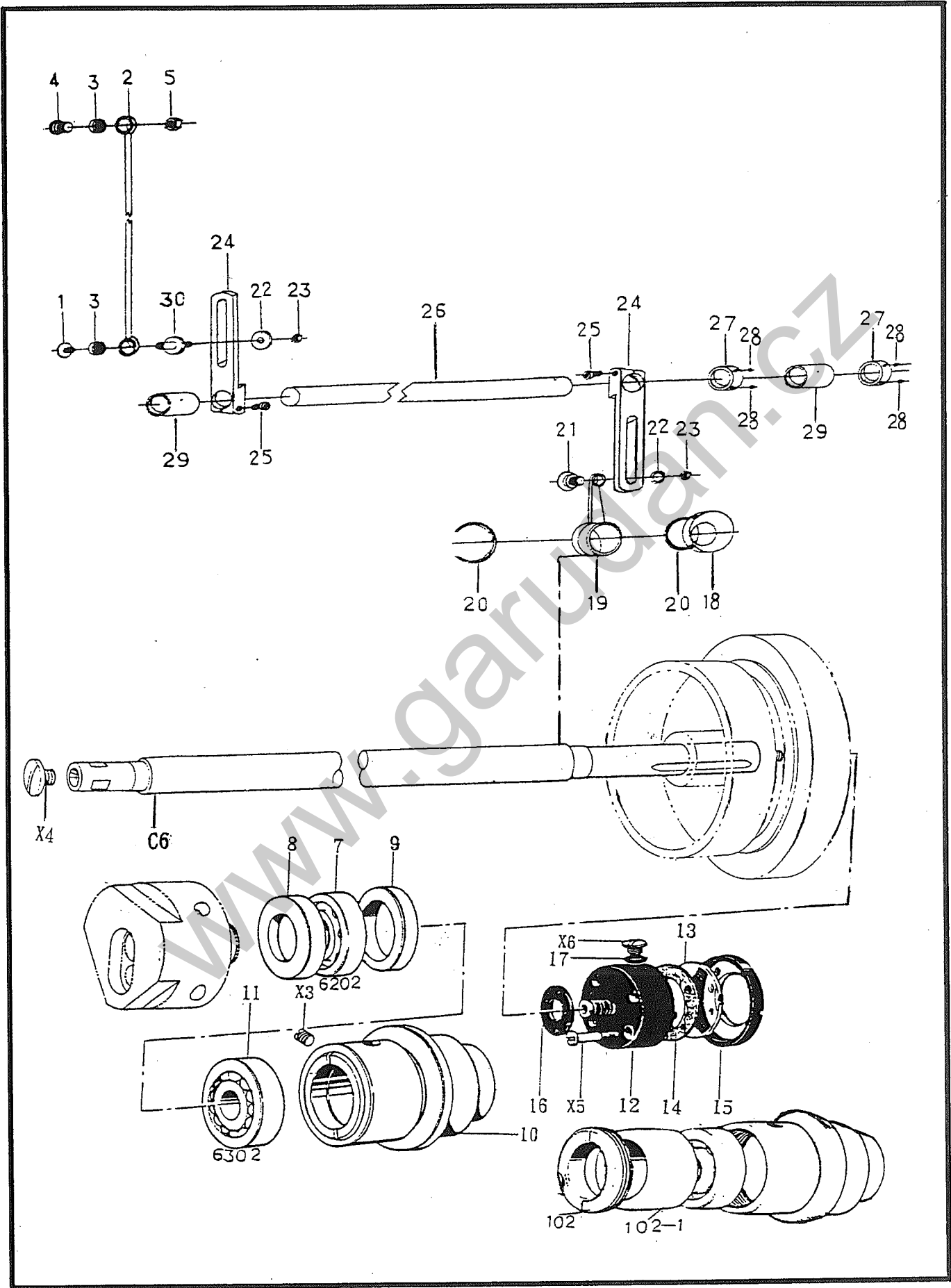
1. C0- MACHINE BODY
2. C1- UPPER SHAFT MACHANISM
3. C2- NEEDLE BAR MECHANISM
 - FEED MECHANISM
4. C3- PULLY MECHANISM
5. C4- PRESSER BAR MECHANISM
6. C5- LOOPER MECHANISM
7. C6- UPPER THREADING MECHANISM
8. C7- LOWER THREADING MECHANISM
9. C8- LOWER SHAFT MECHANISM
 - GAUGE PARTS
- 10 C9- GAUGE PARTS(SP)
11. C10- GAUGE PARTS(PL)
12. C11- PULLER DEVICE MECHANISM
13. C12- ACCESSORIES



C 0

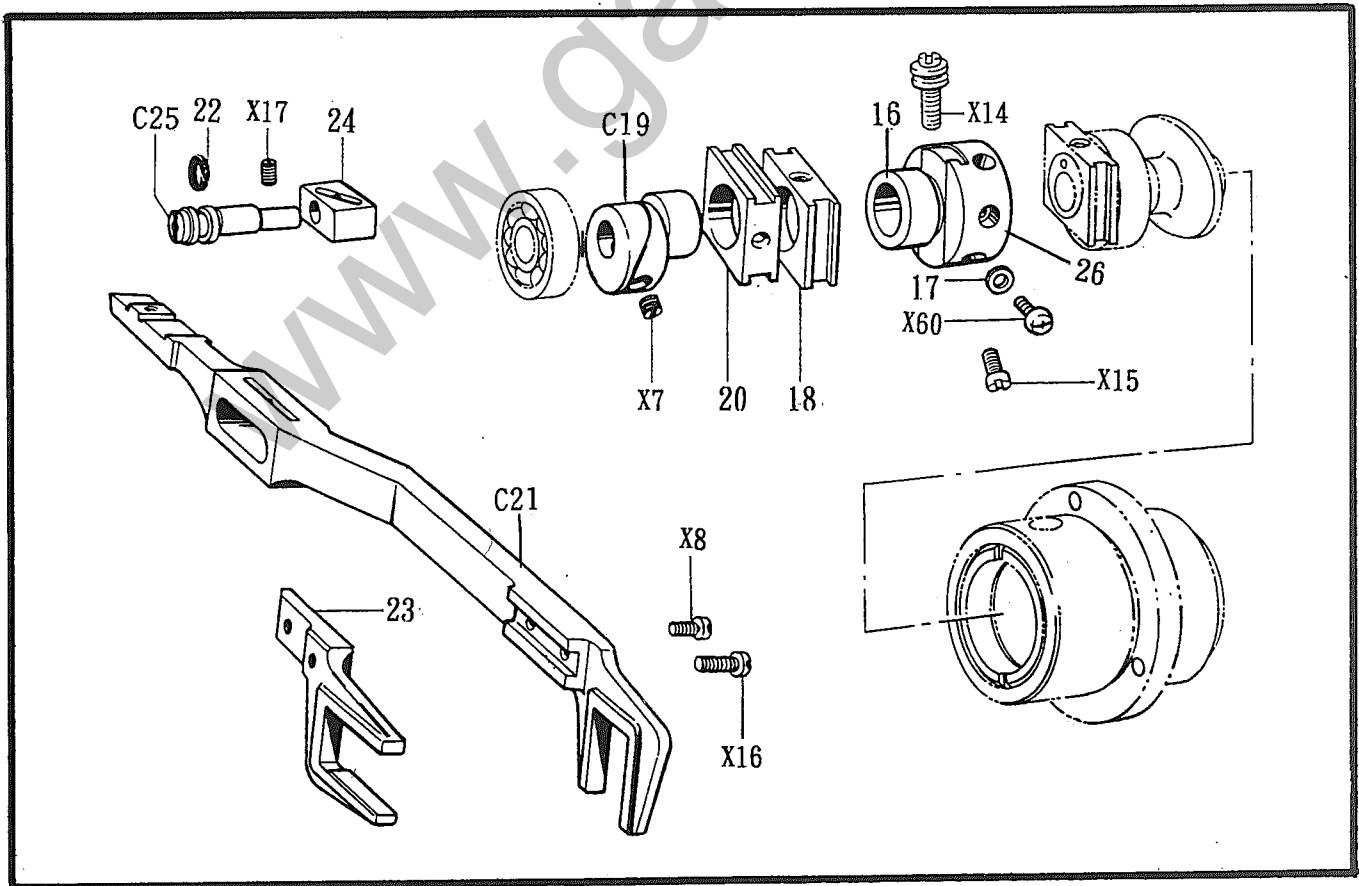
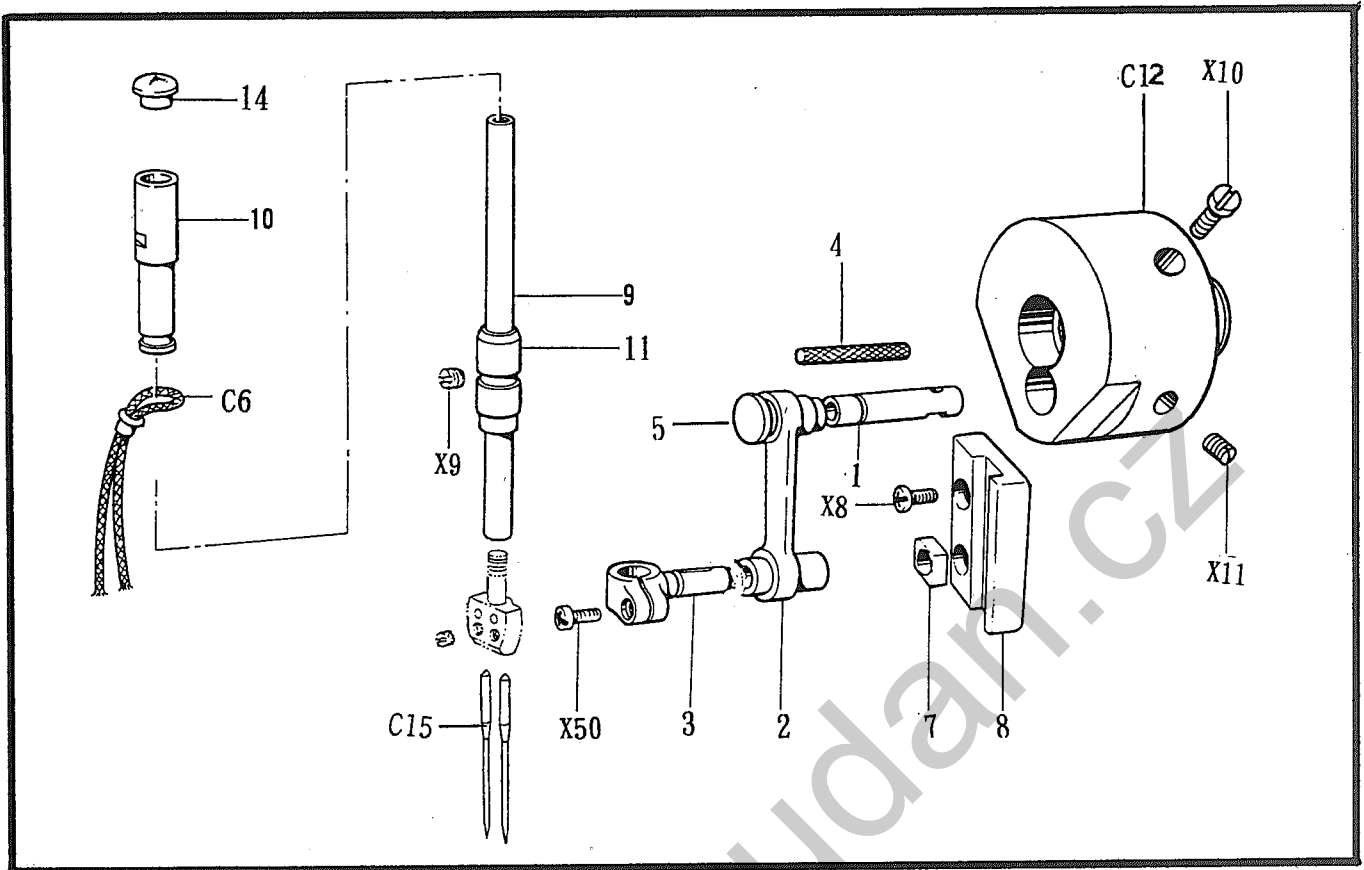
SPARE PARTS CATALOG

REF. NO.	NAME OF PARTS
C 0 - 1	MACHINE HEAD
C 0 - C 2	MACHINE REST BOARD
C 0 - C 3	LOWER WHEEL SEAT
C 0 - 4	OIL PLUG
C 0 - C 5	LOWER WHEEL
C 0 - 6	LOWER WHEEL CONNECTION
C 0 - 7	ONE WAY TRIANGULAR AXLE
C 0 - 8	ONE WAY STILL SPRING
C 0 - 9	ONE WAY STILL BALL
C 0 - 1 0	SCREW 238*6
C 0 - 1 1	ONE WAY PUSHING PLATE
C 0 - 1 2	FEED DOG PUSHING PLATE LINK
C 0 - C 1 3	SCREW 9/64*40
C 0 - 1 4	SCREW 11/64*40
C 0 - 1 5	CHOCK RING (E RING)
C 0 - 1 7	LOWER WHEEL SEAT CAP



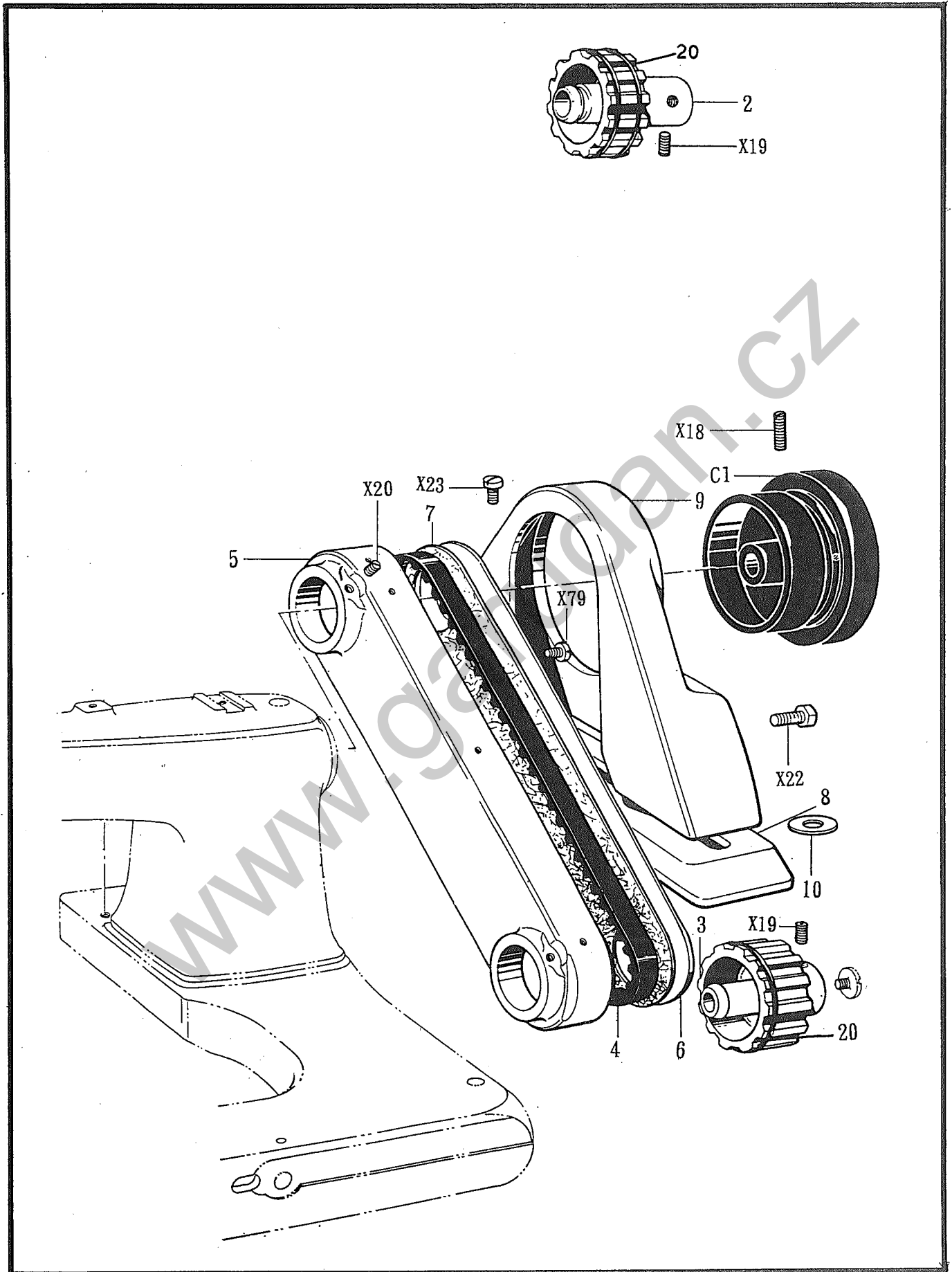
SPARE PARTS CATALOG

REF. NO.	NAME OF PARTS
C 1 - 1	PULL BAR ENDING SCREW
C 1 - 2	VERTICAL PULL BAR
C 1 - 3	PULL BAR BEARING
C 1 - 4	VERTICAL PULL BAR FIXING SCREW (LOWER)
C 1 - 5	PULL BAR SCREW NUT
C 1 - C 6	UPPER SHAFT
C 1 - 7	BALL BEARING 6202
C 1 - 8	BEARING SUPPORT
C 1 - 9	OIL STOPPER
C 1 - 1 0	BEARING CASE ASSY
C 1 - 1 1	BAALL BEARING 6302
C 1 - 1 2	OIL TANK
C 1 - 1 3	OIL GAUGE WINDOW
C 1 - 1 4	PACKING
C 1 - 1 5	OIL GAUGE FLANGE
C 1 - 1 6	OIL TANK PACKING
C 1 - 1 7	O RING
C 1 - 1 8	UPPER WHEEL ECCENTRIC WHEEL
C 1 - 1 9	UPPER WHEEL MOVING PULL BSR ("8" TYPE)
C 1 - 2 0	CHOCK RING
C 1 - 2 1	PULL BAR SCREW
C 1 - 2 2	FIXING PULL BAR SCREW WASHER
C 1 - 2 3	PULL BAR SCREW NUT
C 1 - 2 4	THICKNESS ADJUSTING PULL BAR
C 1 - 2 5	PULL BAR FIXING PULL BAR
C 1 - 2 6	UPPER WHEEL CONNECTION
C 1 - 2 7	MOVABLE LEFT-RIGHT CHOCK PING
C 1 - 2 8	CHOCK PING SCREW
C 1 - 2 9	CONNECTION COPPER TUBE
C 1 - 3 0	VERTICAL PULL BAR
C 1 - 1 0 2	BEARING FIXING SCREW
c 1-102-1	BEARING FIXING BUSHING
C 1 - X 3	SCREW M7.94
C 1 - X 4	SCREW M7.94
C 1 - X 5	SCREW N3.57
C 1 - X 6	CAP SCREW



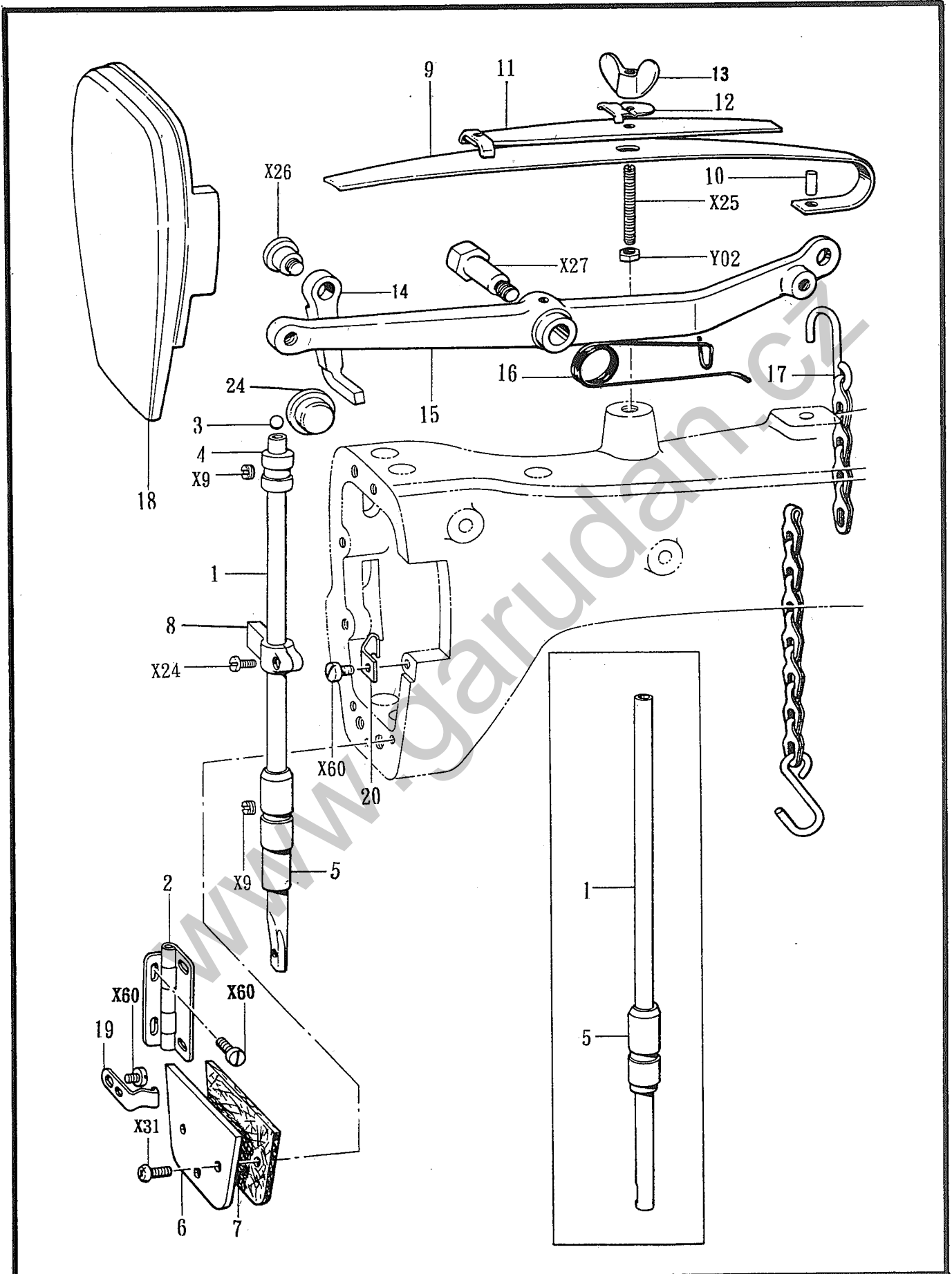
SPARE PARTS CATALOG

REF. NO.	NAME OF PARTS
C 2 - 1	NEEDLE BAR CRANK
C 2 - 2	NEEDLE BAR CRANK ROD
C 2 - 3	NEEDLE BAR CLAMP
C 2 - 4	WICK
C 2 - 5	OIL LEAK PROOF CAP
C 2 - C 6	WICK
C 2 - 7	NEEDLE BAR GUIDE SLIDE BLOCK
C 2 - 8	NEEDLE BAR GUIDE
C 2 - 9	NEEDLE BAR
C 2 - 1 0	NEEDLE BAR BUSH (U)
C 2 - 1 1	NEEDLE BAR BUSH (D)
C 2 - C 1 2	THREAD TAKE-UP CRANK
C 2 - 1 4	OIL CAP
C 2 - C 1 5	NEEDLE
C 2 - 1 6	FEED DOG ECCENTRIC AXLE
C 2 - 1 7	WASHER
C 2 - 1 8	ECCENTRIC WHEEL SLEEVE
C 2 - C 1 9	ECCENTRIC WHEEL WITH SCREW
C 2 - 2 0	ECCENTRIC WHEEL SLEEVE
C 2 - C 2 1	FEED BAR SLIDE BLOCK ASSEMBLY
C 2 - 2 2	O RING P6
C 2 - 2 3	FEED LIFTING FORK
C 2 - 2 4	FEED BAR SLIDE BLOCK
C 2 - C 2 5	FEED BAR ECCENTRIC SHAFT
C 2 - 2 6	FEED DOG ECCENTRIC SET
C 2 - X 7	SCREW M6.35
C 2 - X 8	SCREW M4.37-40*10
C 2 - X 9	SCREW M5.95
C 2 - X 1 0	SCREW M5.95
C 2 - X 1 1	SCREW M6.35
C 2 - X 1 4	FEED ECCENTRIC ADJUSTING SCREW
C 2 - X 1 5	SCREW M5.95
C 2 - X 1 6	SCREW M4.37-40*12
C 2 - X 1 7	SCREW M5.95
C 2 - X 5 0	SCREW M3.57-40*8
C 2 - X 6 0	SCREW M3.57-40*5



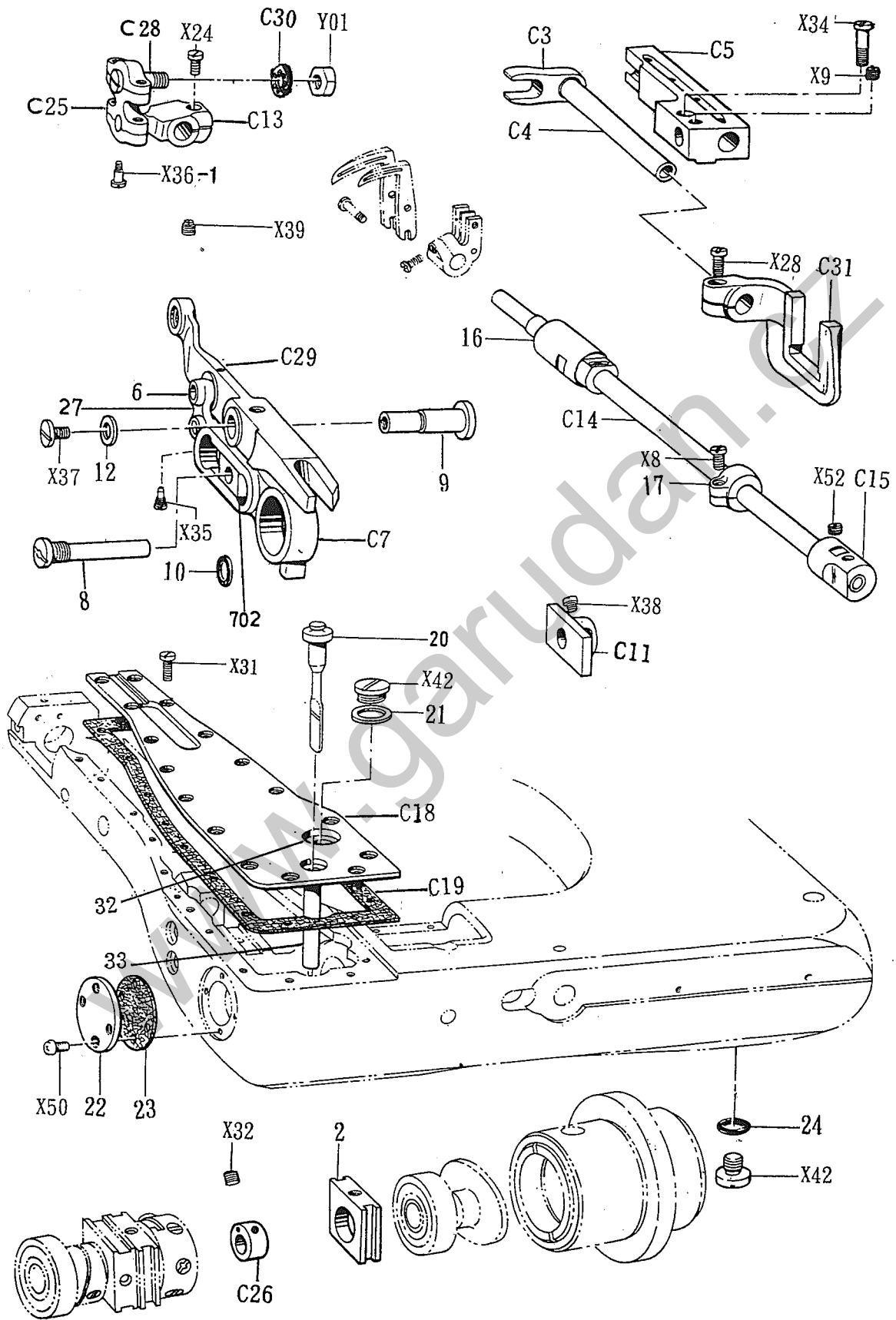
SPARE PARTS CATALOG

REF. NO.	NAME OF PARTS
C 3 - C 1	PULLEY
C 3 - 2	TIMING BELT WHEEL ASSEMBLY (UPPER)
C 3 - 3	TIMING BELT WHEEL ASSEMBLY (LOWER)
C 3 - 4	TIMING BELT
C 3 - 5	BELT COVER
C 3 - 6	BELT COVER PLATE
C 3 - 7	PACKING
C 3 - 8	PULLEY COVER BASE
C 3 - 9	PULLEY COVER
C 3 - 1 0	PULLEY COVER SEAT
C 3 - 2 0	SPRING COIL
C 3 - X 1 8	SCREW M5.95
C 3 - X 1 9	SCREW M6.35
C 3 - X 2 0	SCREW M6.35
C 3 - X 2 2	SCREW M11.11
C 3 - X 2 3	SCREW M6.35
C 3 - X 7 9	SCREW M4.76-32*8



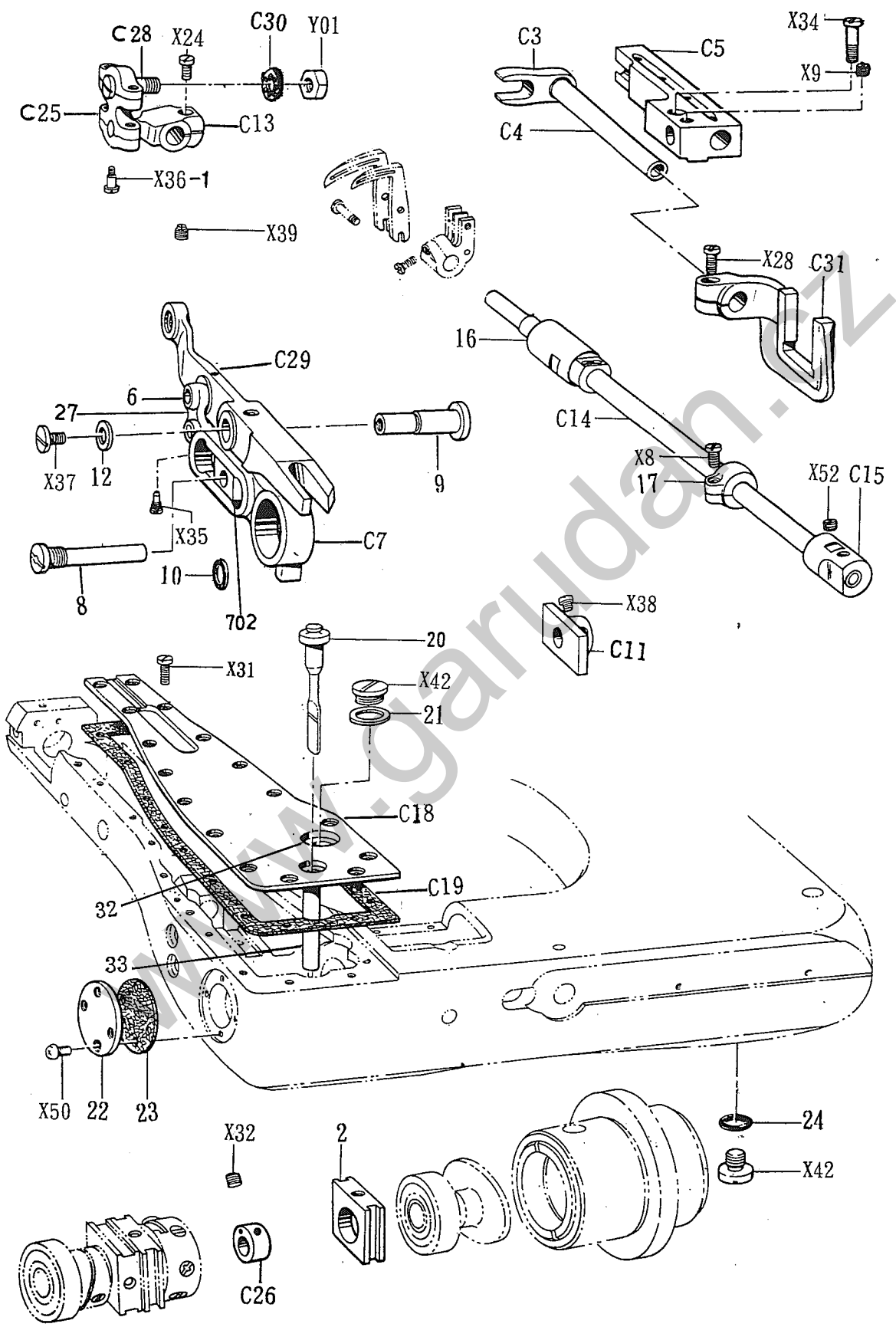
SPARE PARTS CATALOG

REF. NO.	NAME OF PARTS
C 4 - 1	PRESSER BAR
C 4 - 2	FACE PLATE UPPER HINGE ASSEMBLY
C 4 - 3	STEEL BALL
C 4 - 4	PRESSER BAR BUSHING (UPPER)
C 4 - 5	PRESSER BAR BUSHING (LOWER)
C 4 - 6	FACE PLATE (LOWER)
C 4 - 7	PACKING
C 4 - 8	PRESSER BAR CLAMP ASSEMBLY
C 4 - 9	PRESSER PLATE SPRING
C 4 - 1 0	PRESSER PLATE SPRING PIN
C 4 - 1 1	PRESSER PLATE SPRING ASSEMBLY
C 4 - 1 2	GUIDE WASHER
C 4 - 1 3	WING NUT
C 4 - 1 4	PRESSER BAR LIFTER
C 4 - 1 5	KNEE LIFTER LEVER
C 4 - 1 6	KNEE LIFTER SPRING
C 4 - 1 7	PRESSER FOOT LIFTER CHAIN ASSEMBLY
C 4 - 1 8	FACE PLATE (UPPER)
C 4 - 1 9	STOPPER SPRING PLATE (L)
C 4 - 2 0	STOPPER SPRING PLATE (S)
C 4 - 2 4	OIL CAP
C 4 - X 9	SCREW M5.95
C 4 - X 2 4	SCREW M4.37
C 4 - X 2 5	PRESSER ADJUSTING SCREW
C 4 - X 2 6	STUD SCREW M5.95
C 4 - X 2 7	STUD SCREW M7.94
C 4 - X 3 1	SCREW M3.57-40*10
C 4 - X 6 0	SCREW M3.57
C 4 - Y 0 2	NUT M4.76

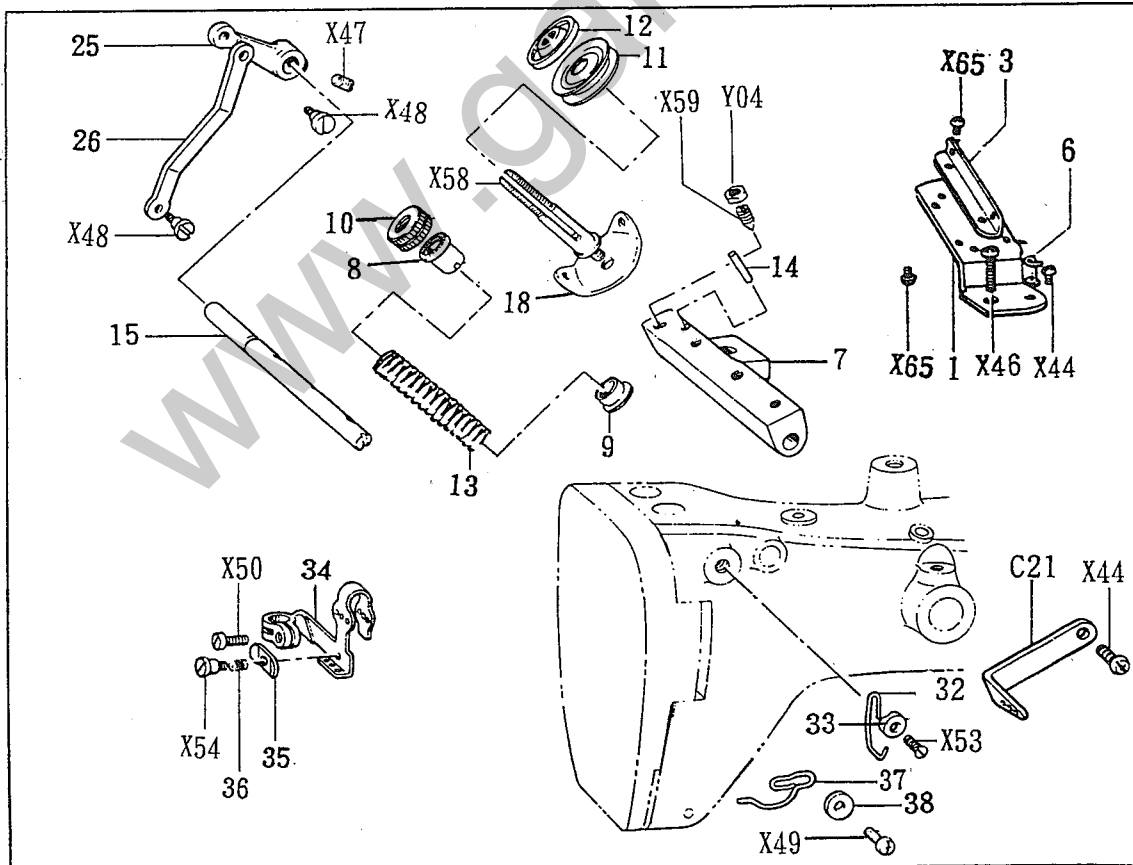
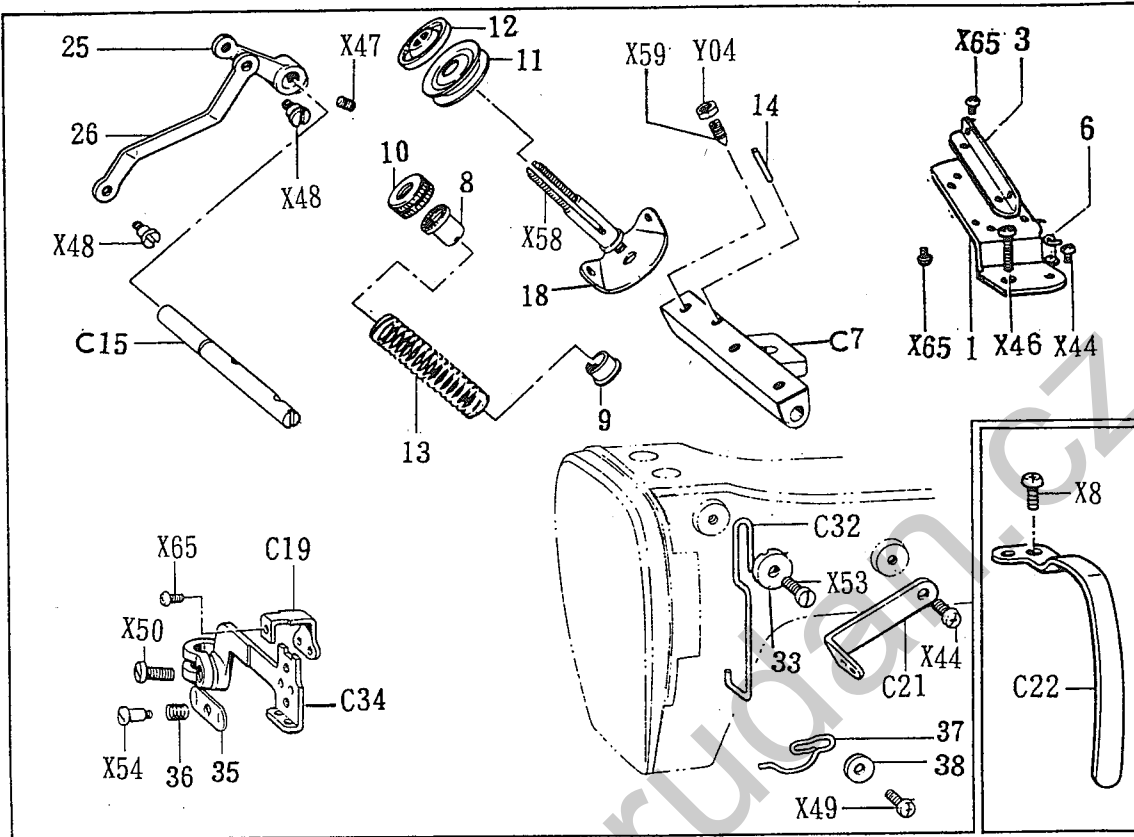


SPARE PARTS CATALOG

REF. NO.	NAME OF PARTS
C 5 - 2	ECCENTRIC WHEEL SLEEVE
C 5 - C 3	LOOPER FEEDING FORK
C 5 - C 4	LOOPER FEEDING FORK SHAFT
C 5 - C 5	LOOPER FEEDING FORK SHAFT BRACKET
C 5 - 6	PIN
C 5 - C 7	LOOPER FRONT-REAR TRANSMISSION
C 5 - 8	SLIDE BLOCK SHAFT
C 5 - 9	LOOPER LEVER SHAFT
C 5 - 1 0	PACKING
C 5 - C 1 1	CONNECTING ROD GUIDE PLATE
C 5 - 1 2	WASHER
C 5 - C 1 3	LOOPER SHAFT CLAMP
C 5 - C 1 4	LOOPER SHAFT
C 5 - C 1 5	LOOPER SHAFT BUSH (F)
C 5 - 1 6	LOOPER SHAFT BUSH (B)
C 5 - 1 7	SET COLLAR
C 5 - C 1 8	FOWARD ARM COVER ASSY
C 5 - C 1 9	PACKING
C 5 - 2 0	OIL GAUGE
C 5 - 2 1	PACKING
C 5 - 2 2	BALL BEARING CAP
C 5 - 2 3	PACKING
C 5 - 2 4	O RING P7
C 5 - C 2 5	"8" TYPE TRANSMISSION DEVICE
C 5 - C 2 6	ECCENTRIC WHEEL WITH SCREW
C 5 - 2 7	EYEPIECE
C 5 - C 2 8	STEEL BALL
C 5 - C 2 9	LOOPER SLIDE BASE

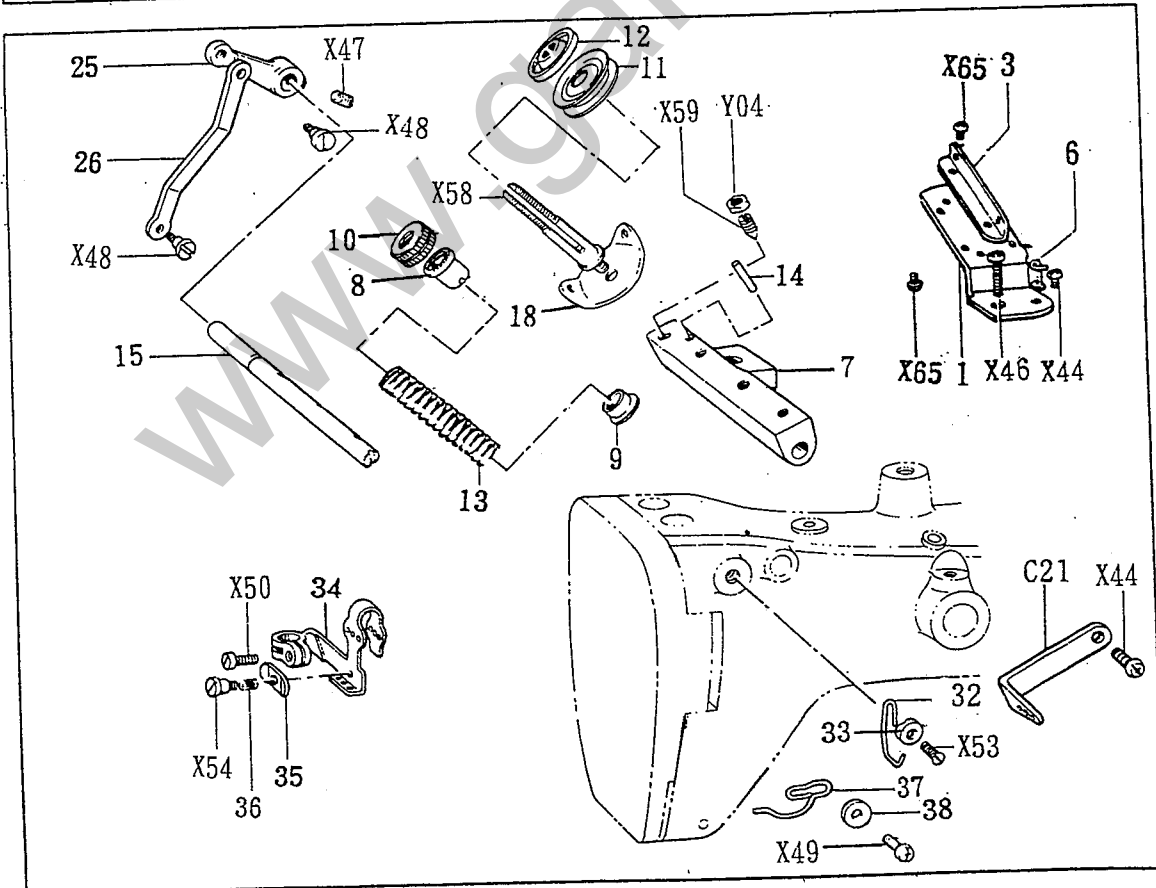
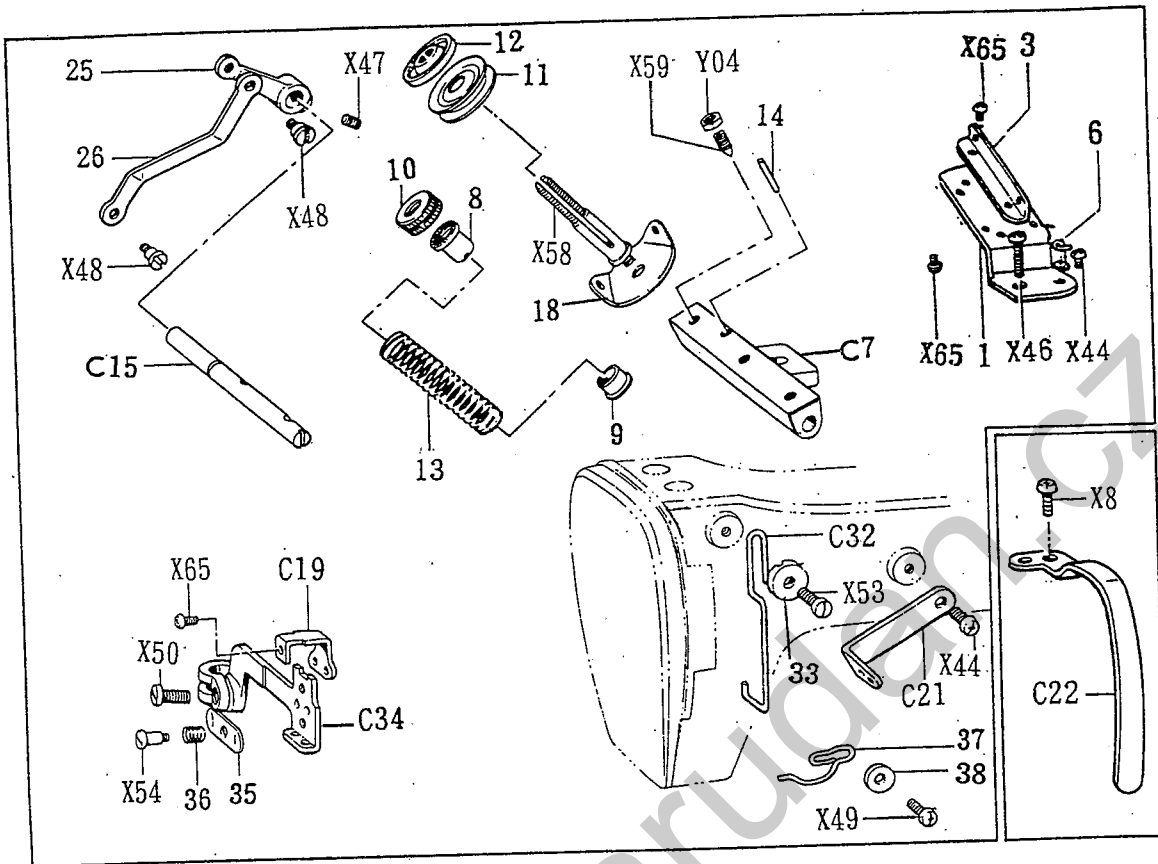


C 5 - C 3 0	WASHER
C 5 - C 3 1	LOOPER FEEDING FORK
C 5 - 3 2	-----
C 5 - 3 3	-----
C 5 - 7 0 2	SQUARE BALL
C 5 - X 8	SCREW M4.37-40*8
C 5 - X 9	SCREW M5.95
C 5 - X 2 4	SCREW M4.37
C 5 - X 2 8	SCREW M4.37
C 5 - X 3 1	SCREW M3.57
C 5 - X 3 2	SCREW M4.37
C 5 - X 3 4	SCREW M4.76
C 5 - X 3 5	SCREW M2.38
C 5 - X 36-1	SCREW M3.5*10
C 5 - X 3 7	SCREW M4.37
C 5 - X 3 8	SCREW M4.37
C 5 - X 3 9	SCREW M5.95
C 5 - X 4 2	SCREW M7.94
C 5 - X 5 0	SCREW M3.57-40*5
C 5 - X 5 2	SCREW M5.95
C 5 - Y 0 1	NUT M5.95

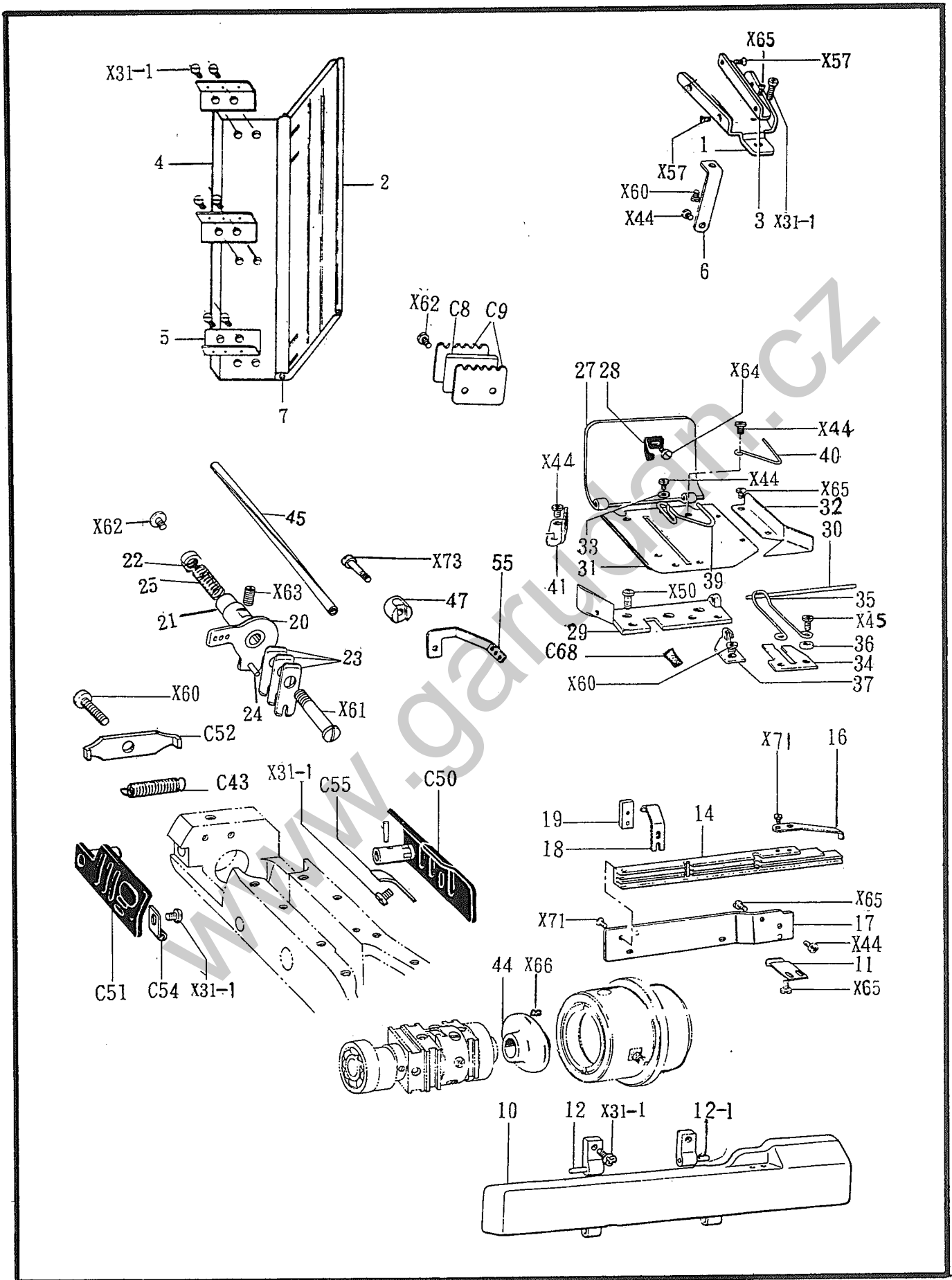


SPARE PARTS CATALOG

REF. NO.	NAME OF PARTS
C 6 - 1	UPPER THREAD GUIDE
C 6 - 3	THREAD GUIDE SET PLATE
C 6 - 6	THREAD GUIDE
C 6 - C 7	LINE GUIDE DEVICE
C 6 - 8	SPRING WASHER
C 6 - 9	SPRING WASHER
C 6 - 1 0	NUT
C 6 - 1 1	TENSION DISC
C 6 - 1 2	TENSION DISC PRESSER
C 6 - 1 3	TENSION SPRING
C 6 - 1 4	PIN
C 6 - C 1 5	TENSION RELEASE SHAFT
C 6 - 1 8	UPPER THREAD TENSION STUD SCREW
C 6 - C 1 9	UPPER THREAD TAKE-UP GUIDE
C 6 - C 2 1	UPPER THREAD ARM GUIDE
C 6 - C 2 2	THREAD TAKE-UP COVER
C 6 - 2 5	TENSION RELEASE CRANK
C 6 - 2 6	TENSION RELEASE CONNECTING ROD
C 6 - 3 2	UPPER THREAD TAKE-UP GUIDE
C 6 - C 3 2	UPPER THREAD TAKE-UP GUIDE
C 6 - 3 3	WASHER
C 6 - 3 4	UPPER THREAD TAKE-UP ASSY
C 6 - C 3 4	UPPER THREAD TAKE-UP ASSY
C 6 - 3 5	UPPER THREAD TAKE-UP HOLDER
C 6 - 3 6	SPRING
C 6 - 3 7	NEEDLE BAR BUSH (D) THREAD GUIDE
C 6 - 3 8	WASHER

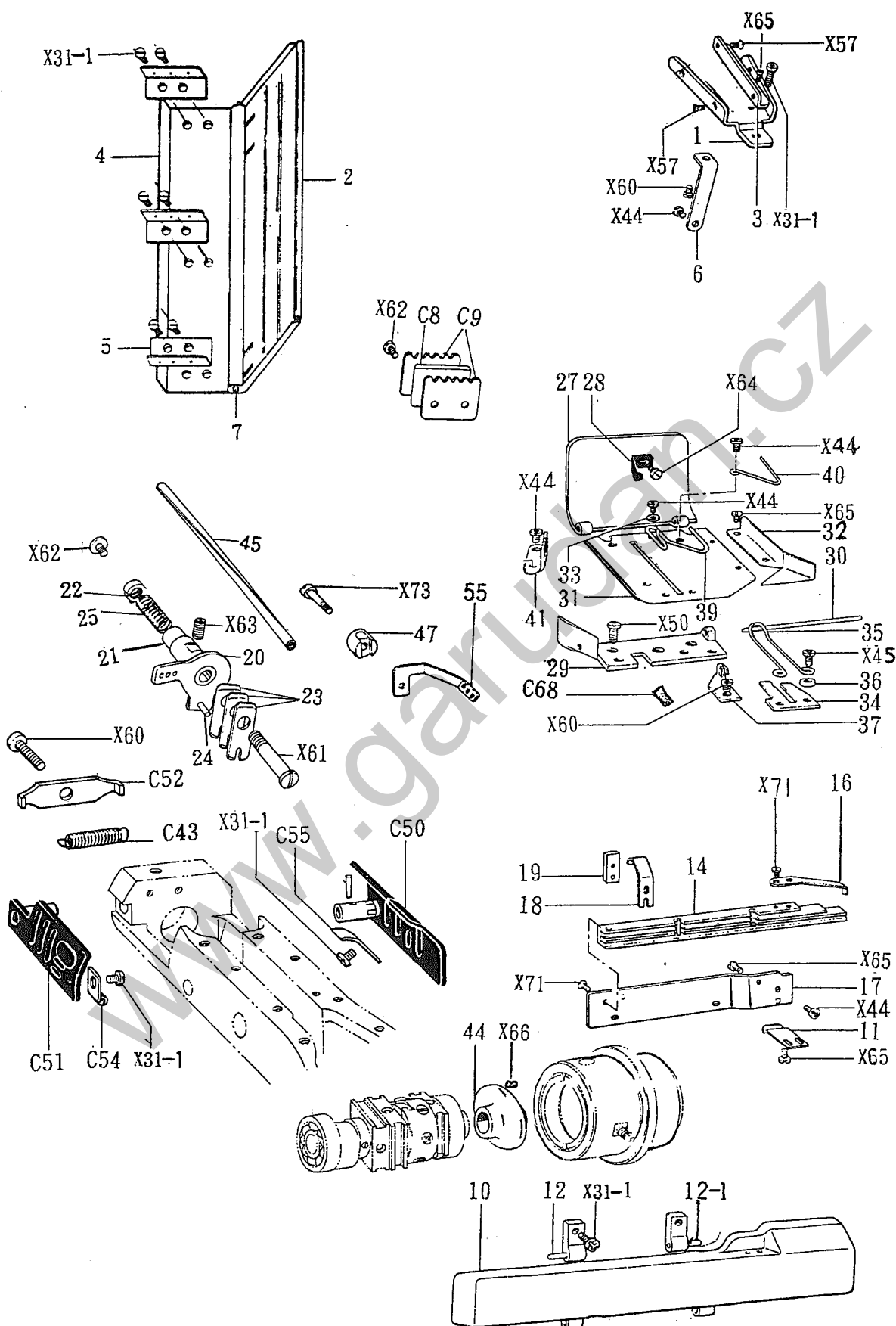


C 6 - X 8	SCREW M4.37
C 6 - X 4 4	SCREW M3.57
C 6 - X 4 6	SCREW M4.76
C 6 - X 4 7	SCREW M3.57
C 6 - X 4 8	SCREW M3.57
C 6 - X 4 9	SCREW M3.57
C 6 - X 5 0	SCREW M3.57
C 6 - X 5 3	SCREW M3.57
C 6 - X 5 4	SCREW M2.38
C 6 - X 5 8	UPPER THREAD TENSION STUD SCREW
C 6 - X 5 9	SCREW M4.37
C 6 - X 6 5	SCREW M2.38
C 6 - Y 0 4	NUT M4.37

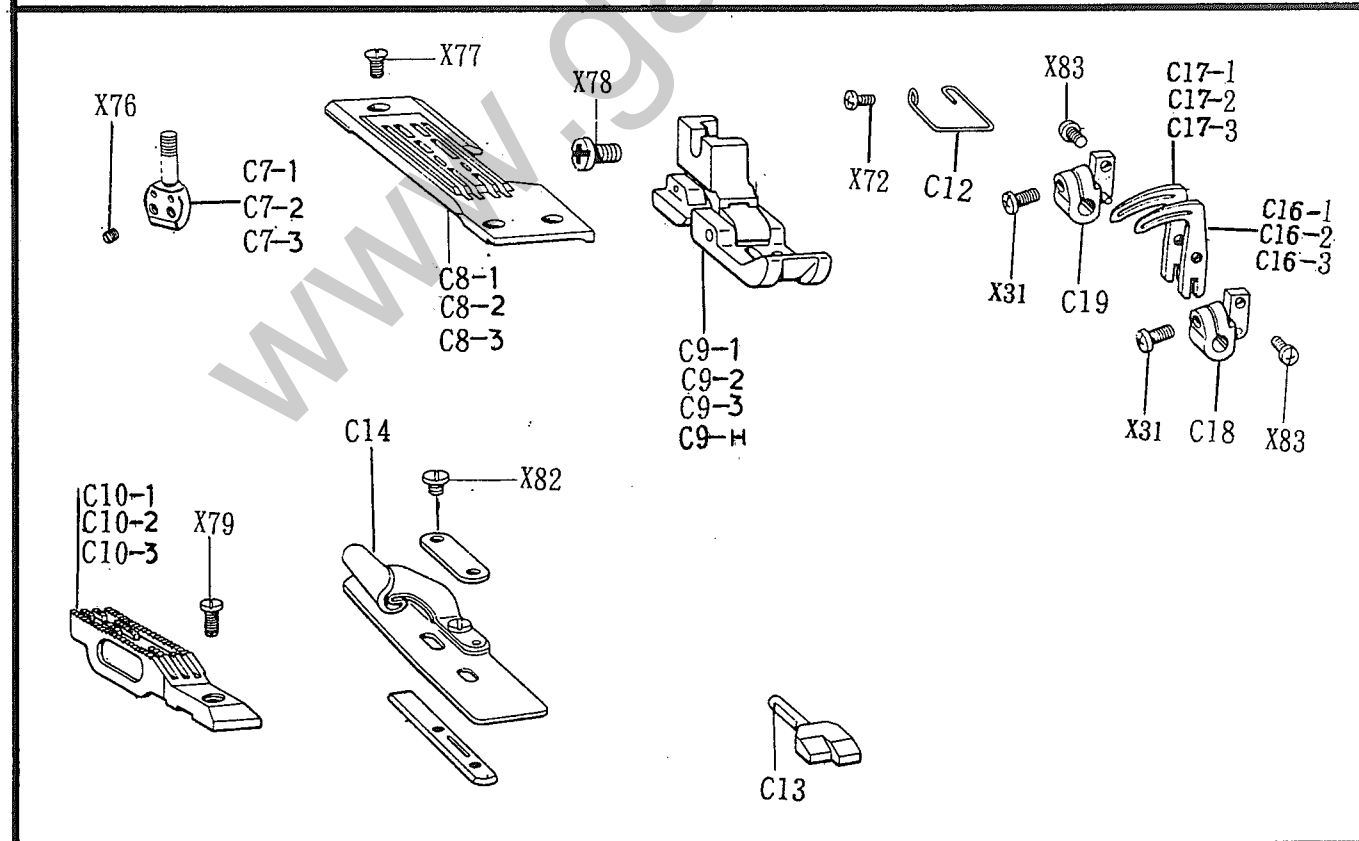
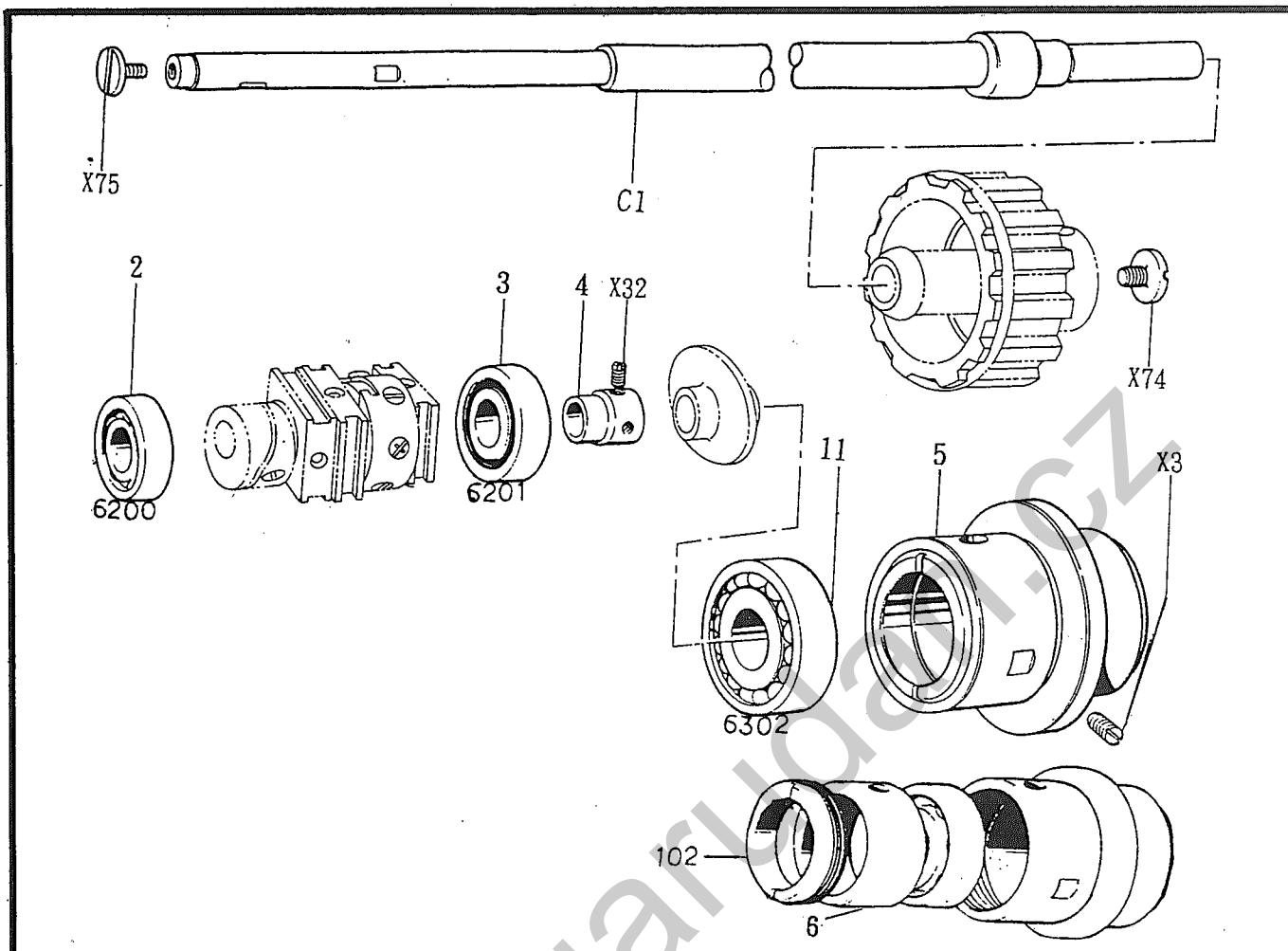


SPARE PARTS CATALOG

REF. NO.	NAME OF PARTS
C 7 - 1	LOWER THREAD GUIDE RETAINER
C 7 - 2	UPPER COVER
C 7 - 3	BRACKET
C 7 - 4	MACHINE REST BOARD
C 7 - 5	FIXING SEAT
C 7 - 6	LOWER THREAD GUIDE SUPPORTER
C 7 - 7	FIXING PIN
C 7 - C 8	THREAD TRIMMER
C 7 - C 9	THREAD TRIMMER PLATE
C 7 - 1 0	LOWER THREAD COVER
C 7 - 1 1	PLATE SPRING
C 7 - 1 2	LOWER THREAD GUIDE HINGE ASSEMBLY (L)
C 7 - 1 2 - 1	LOWER THREAD GUIDE HINGE ASSEMBLY (R)
C 7 - 1 4	LOOPER CONNECTOR GUIDE PLATE
C 7 - 1 6	THREAD KEEPER
C 7 - 1 7	HORIZONTAL THREAD GUIDE PLATE
C 7 - 1 8	HORIZONTAL TUBULAR GUIDE PLATE SPRING
C 7 - 1 9	POSITON PLATE
C 7 - 2 0	LOWER THREAD TENSION BRACKET
C 7 - 2 1	LOWER THREAD
C 7 - 2 2	LOWER THREAD TENSION NUT ASSEMBLY
C 7 - 2 3	LOWER THREAD TENSION PLATE
C 7 - 2 4	PIN
C 7 - 2 5	LOWER THREAD TENSION SPRING
C 7 - 2 7	THREAD TAKE-UP LEVER COVER
C 7 - 2 8	SPRING
C 7 - 2 9	LOWER THREAD TAKE-UP LEVER FRAME
C 7 - 3 0	LOWER THREAD TAKE-UP LEVER COVER SHAFT
C 7 - 3 1	LOWER THREAD TAKE-UP LEVER BASE
C 7 - 3 2	GUIDE PLATE
C 7 - 3 3	WASHER
C 7 - 3 4	LOWER THREAD GUIDE PLATE
C 7 - 3 5	SCREW
C 7 - 3 6	WASHER
C 7 - 3 7	LOWER THREAD GUIDE (LEFT)
C 7 - 3 9	LOWER THREAD GUIDE (RIGHT)
C 7 - 4 0	LOWER THREAD GUIDE (LEFT)
C 7 - 4 1	LOWER THREAD GUIDE PLATE

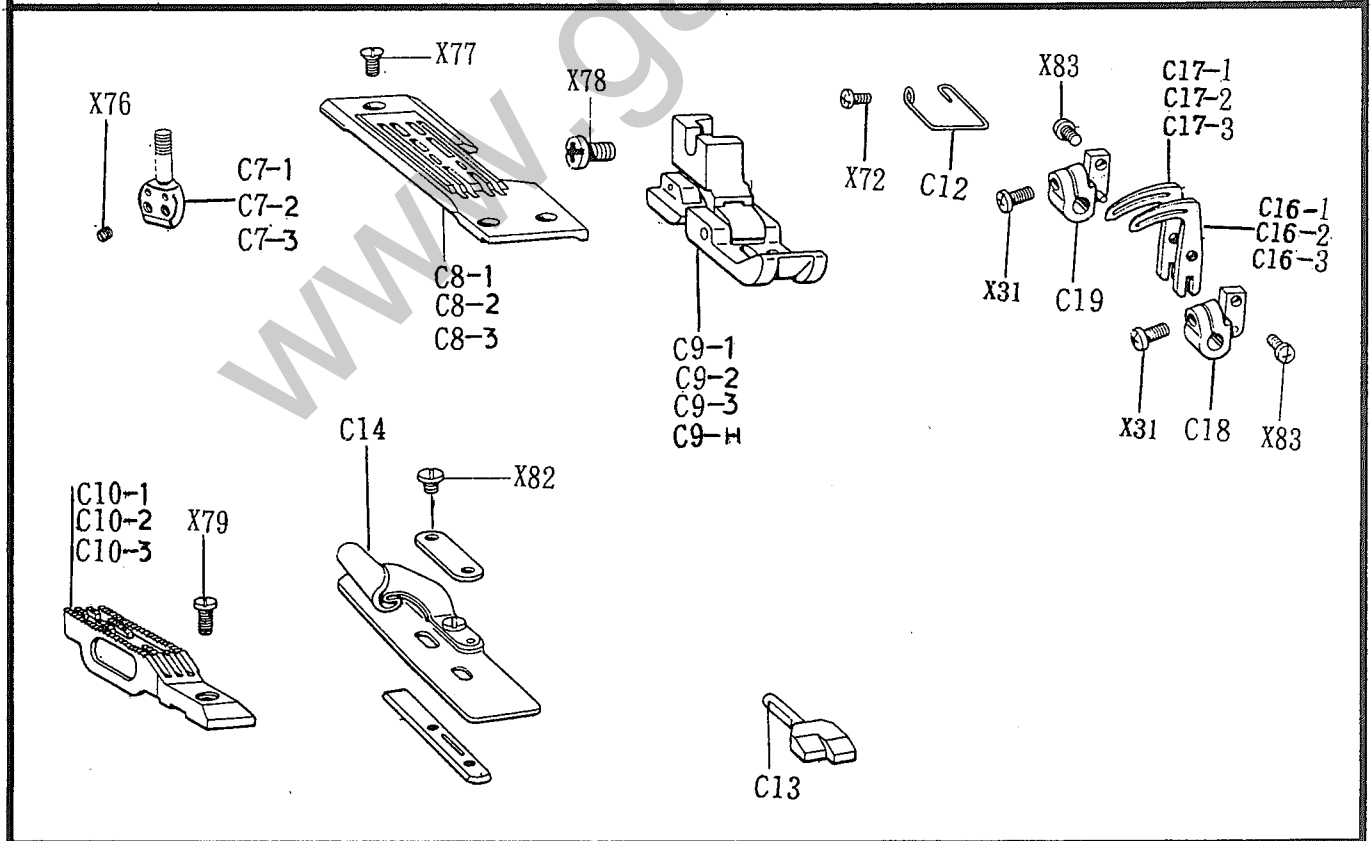
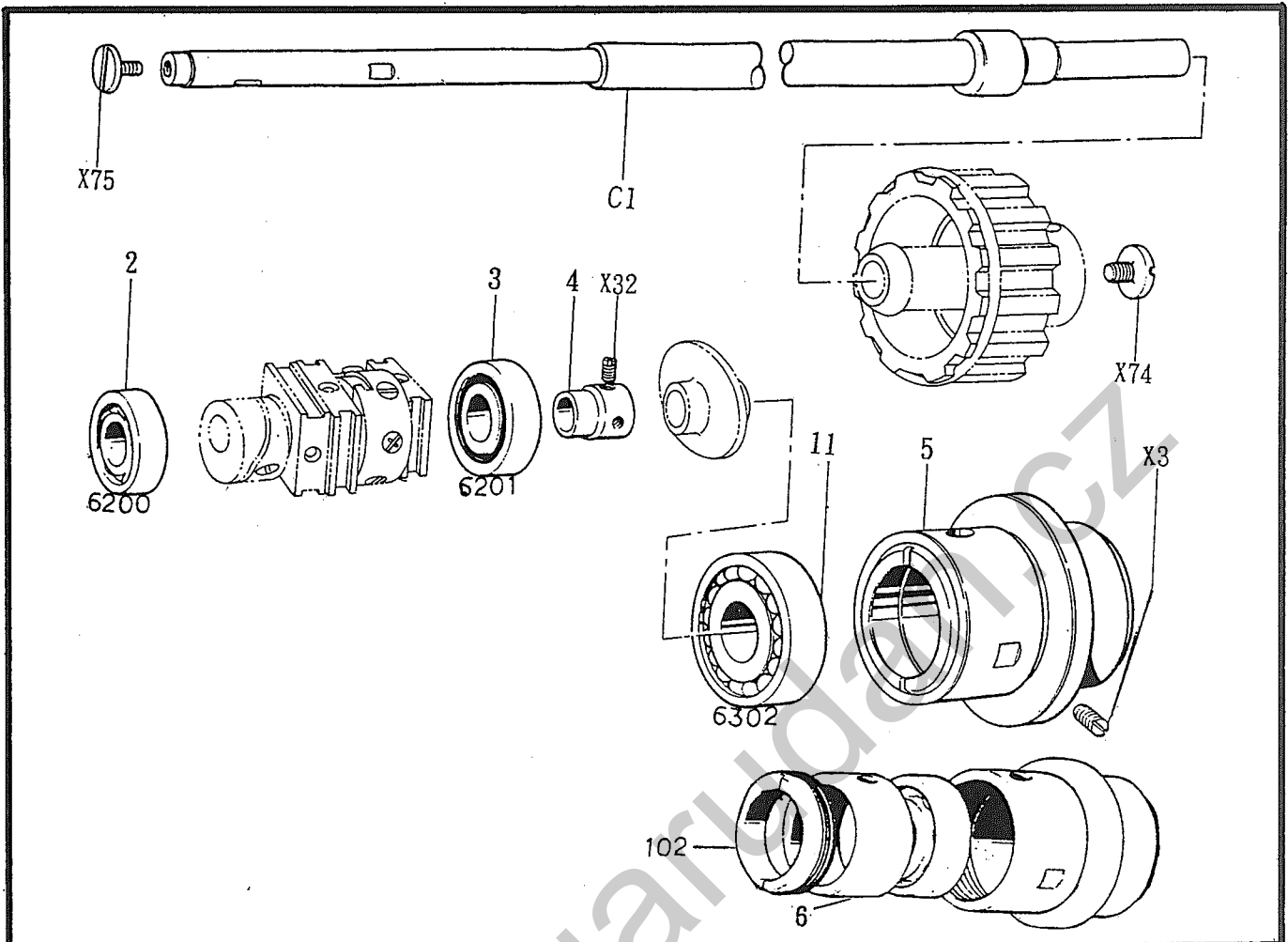


C 7 - C 4 3	SPRING
C 7 - 4 4	LOWER THREAD TAKE-UP DISC ASSEMBLY
C 7 - 4 5	LOWER THREAD FEED TUBE
C 7 - 4 7	LOOPER THREAD GUIDE BRACKET
C 7 - C 5 0	LOOPER SIDE COVER (R) ASSY
C 7 - C 5 1	LOOPER SIDE COVER (L) ASSY
C 7 - C 5 2	SIDE COVER STOPPER
C 7 - C 5 4	PLATE SPRING
C 7 - C 5 5	PLATE SPRING
C 7 - X 3 1 -1	SCREW M3.75
C 7 - X 4 4	SCREW M3.75
C 7 - X 4 5	SCREW M3.75-40*6
C 7 - X 5 0	SCREW M3.75
C 7 - X 5 7	SCREW M2.38
C 7 - X 6 0	SCREW M3.75-40*4
C 7 - X 6 1	LOWER THREAD TENSION ADJUSTING SCREW
C 7 - X 6 2	SCREW M3.75
C 7 - X 6 3	SCREW M5.95
C 7 - X 6 4	SCREW M2.38
C 7 - X 6 5	SCREW M2.38
C 7 - X 6 6	SCREW M6.35
C 7 - C 6 8	PIN
C 7 - X 7 1	SCREW M2.38
C 7 - X 7 3	SCREW M3.75



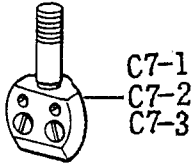
SPARE PARTS CATALOG

REF. NO.	NAME OF PARTS
C 8 - C 1	LOWER SHAFT
C 8 - 2	BALL BEARING 6200
C 8 - 3	BALL BEARING 6201
C 8 - 4	BALL BEARING BUSH
C 8 - 5	BEARING CASE ASSY
C 8 - 6	BEARING FIXING BUSHING
C 8 - 7 - 1	NEEDLE CLAMP WITH SCREW 1/4
C 8 - 7 - 2	NEEDLE CLAMP WITH SCREW 3/16
C 8 - 7 - 3	NEEDLE CLAMP WITH SCREW 1/8
C 8 - 8 - 1	NEEDLE PLATE 1/4
C 8 - 8 - 2	NEEDLE PLATE 3/16
C 8 - 8 - 3	NEEDLE PLATE 1/8
C 8 - 9 - 1	PRESSER FOOT ASSEMBLY 1/4
C 8 - 9 - 2	PRESSER FOOT ASSEMBLY 3/16
C 8 - 9 - 3	PRESSER FOOT ASSEMBLY 1/8
C 8 - C 9 - H	PRESSER FOOT ASSEMBLY (Medium thick materials)
C 8 - 1 0 - 1	FEED DOG 1/4
C 8 - 1 0 - 2	FEED DOG 3/16
C 8 - 1 0 - 3	FEED DOG 1/8
C 8 - 1 1	BALL BEARING 6302
C 8 - C 1 2	FINGER GUARD
C 8 - C 1 3	NEEDLE GUARD
C 8 - C 1 4	LAPPER ASSY
C 8 - 1 6 - 1	LOOPER 1/4
C 8 - 1 6 - 2	LOOPER 3/16
C 8 - 1 6 - 3	LOOPER 1/8
C 8 - 1 7 - 1	LOOPER 1/4
C 8 - 1 7 - 2	LOOPER 3/16
C 8 - 1 7 - 3	LOOPER 1/8
C 8 - C 1 8	LOOPER HOLDER
C 8 - C 1 9	LOOPER HOLDER

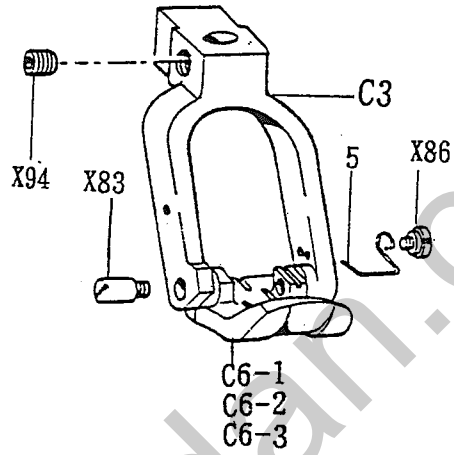


C 8 - 1 0 2	BEARING FIXING SCREW
C 8 - X 3	SCREW M7.94
C 8 - X 3 1	SCREW M3.57-40*10
C 8 - X 3 2	SCREW M4.37
C 8 - X 7 2	SCREW M3.18-40*5
C 8 - X 7 4	SCREW M6.35
C 8 - X 7 5	SCREW M4.37
C 8 - X 7 6	SCREW M4.37
C 8 - X 7 7	SCREW M4.37
C 8 - X 7 8	SCREW M3.75-40*8
C 8 - X 7 9	SCREW M4.76
C 8 - X 8 2	SCREW M3.57
C 8 - X 8 3	SCREW M4.37-40*6

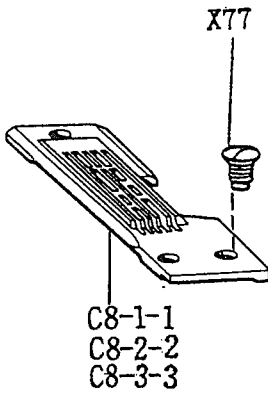
X76



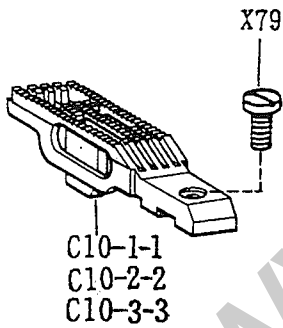
C7-1
C7-2
C7-3



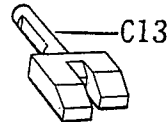
X94 X83 5 X86
C3
C6-1
C6-2
C6-3



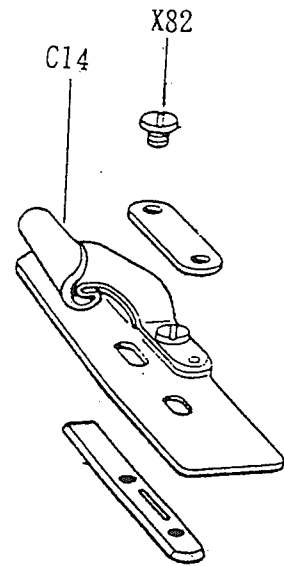
X77
C8-1-1
C8-2-2
C8-3-3



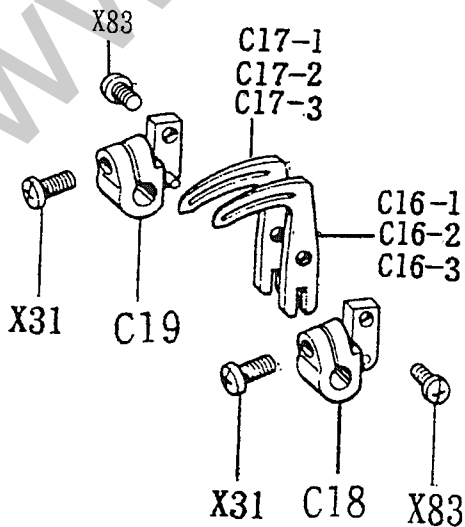
X79
C10-1-1
C10-2-2
C10-3-3



C13



X82
C14



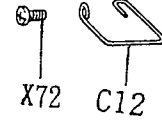
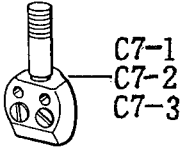
X83
C17-1
C17-2
C17-3
X31 C19
C16-1
C16-2
C16-3
X31 C18 X83

SPARE PARTS CATALOG

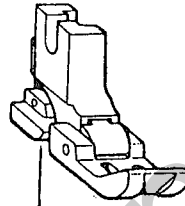
REF. NO.	NAME OF PARTS
C 9 - C 3	PRESSER FOOT ASSEMBLY
C 9 - 5	PRESSER FOOT(F) SPRING
C 9 - C 6 - 1	PRESSER FOOT ASSEMBLY 1/4
C 9 - C 6 - 2	PRESSER FOOT ASSEMBLY 3/16
C 9 - C 6 - 3	PRESSER FOOT ASSEMBLY 1/8
C 9 - C 7 - 1	NEEDLE CLAMP EITH SCREW 1/4
C 9 - C 7 - 2	NEEDLE CLAMP EITH SCREW 3/16
C 9 - C 7 - 3	NEEDLE CLAMP EITH SCREW 1/8
C 9 - C 8 -1-1	NEEDLE PLATE 1/4
C 9 - C 8 -2-2	NEEDLE PLATE 3/16
C 9 - C 8 -3-3	NEEDLE PLATE 1/8
C 9 - C 10-1-1	FEED DOG 1/4
C 9 - C 10-2-2	FEED DOG 3/16
C 9 - C 10-3-3	FEED DOG 1/8
C 9 - C 1 3	NEEDLE GUARD
C 9 - C 1 4	LAPPER ASSY
C 9 - C 1 6 -1	LOOPER 1/4
C 9 - C 1 6 -2	LOOPER 3/16
C 9 - C 1 6 -3	LOOPER 1/8
C 9 - C 1 7 -1	LOOPER 1/4
C 9 - C 1 7 -2	LOOPER 3/16
C 9 - C 1 7 -3	LOOPER 1/8
C 9 - C 1 8	LOOPER HOLDER
C 9 - C 1 9	LOOPER HOLDER
C 9 - X 3 1	SCREW M3.57-40*10
C 9 - X 7 6	SCREW M4.37
C 9 - X 7 7	SCREW M4.37
C 9 - X 7 9	SCREW M4.76
C 9 - X 8 2	SCREW M3.57
C 9 - X 8 3	SCREW M4.37-40*6
C 9 - X 8 6	SCREW M2.38
C 9 - X 9 4	SCREW M5.95

DPL

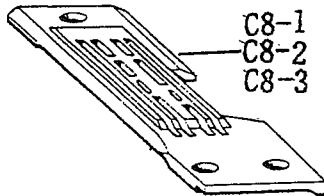
X76



X78

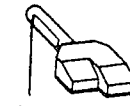


X77



C9-1
C9-2
C9-3

X79

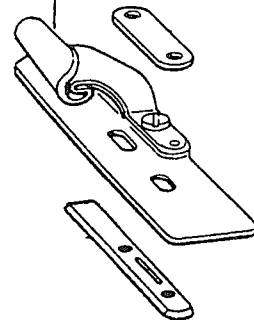


C10-1
C10-2
C10-3

C13

C14

X82



X83

C17-1
C17-2
C17-3

C16-1
C16-2
C16-3

X31

C19

X31

C18

X83

X31

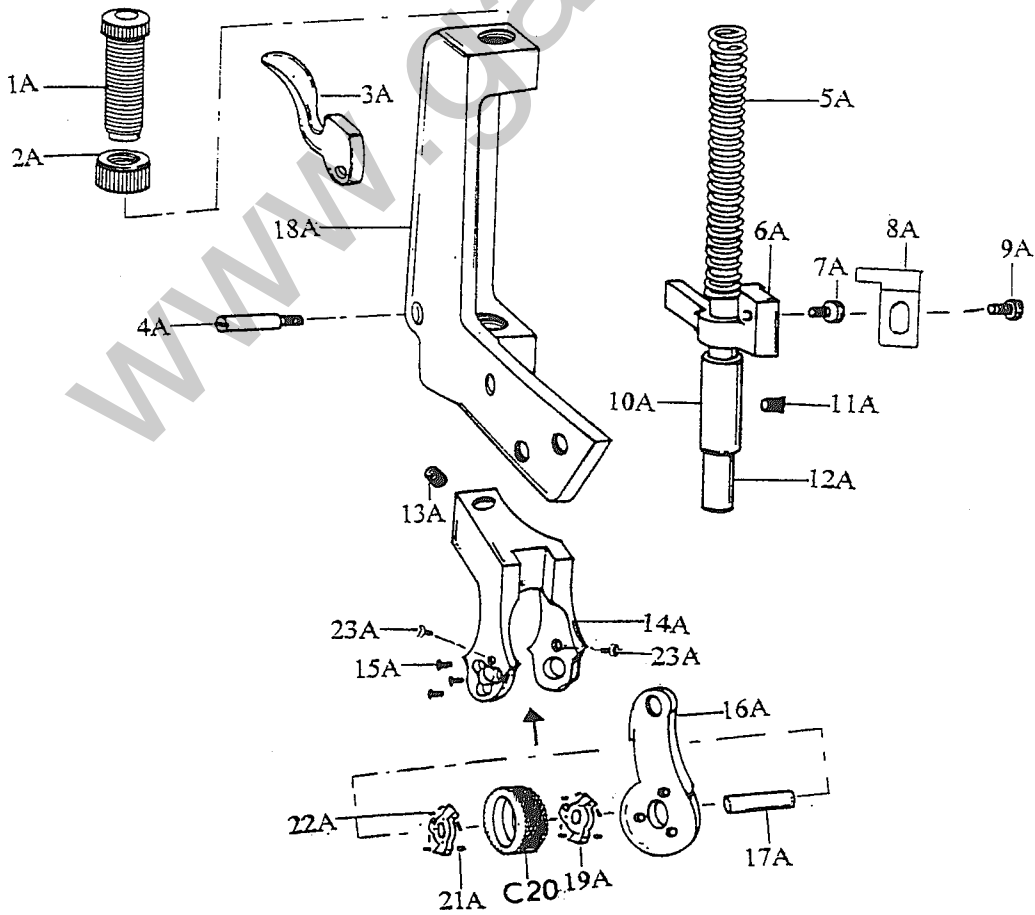
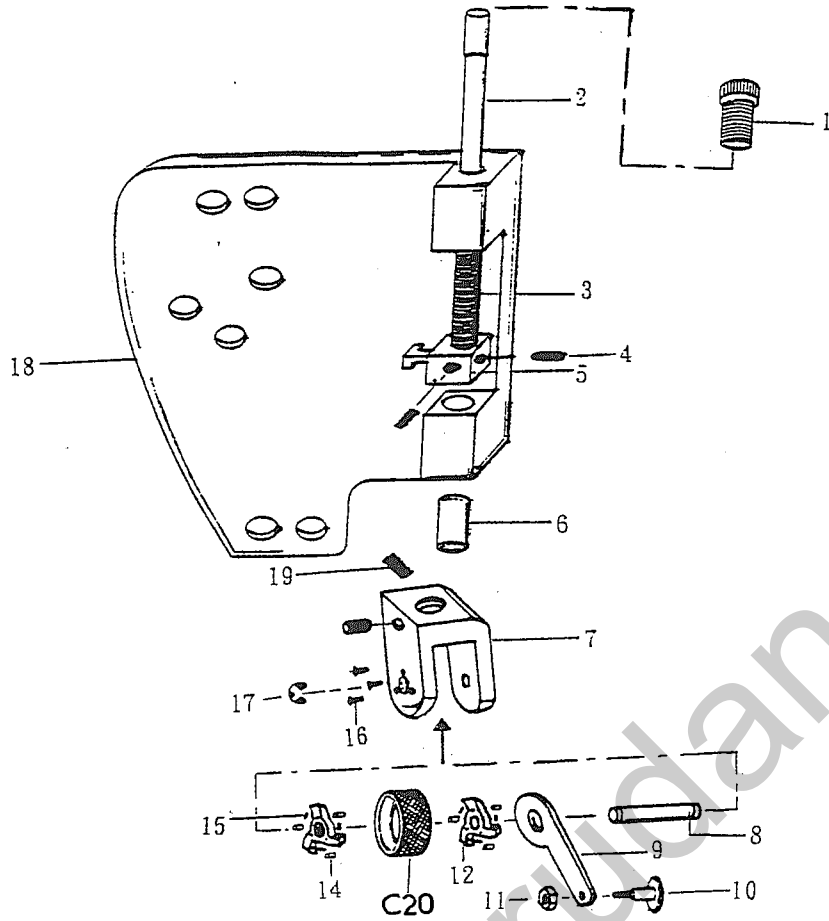
C18

X83

SPARE PARTS CATALOG

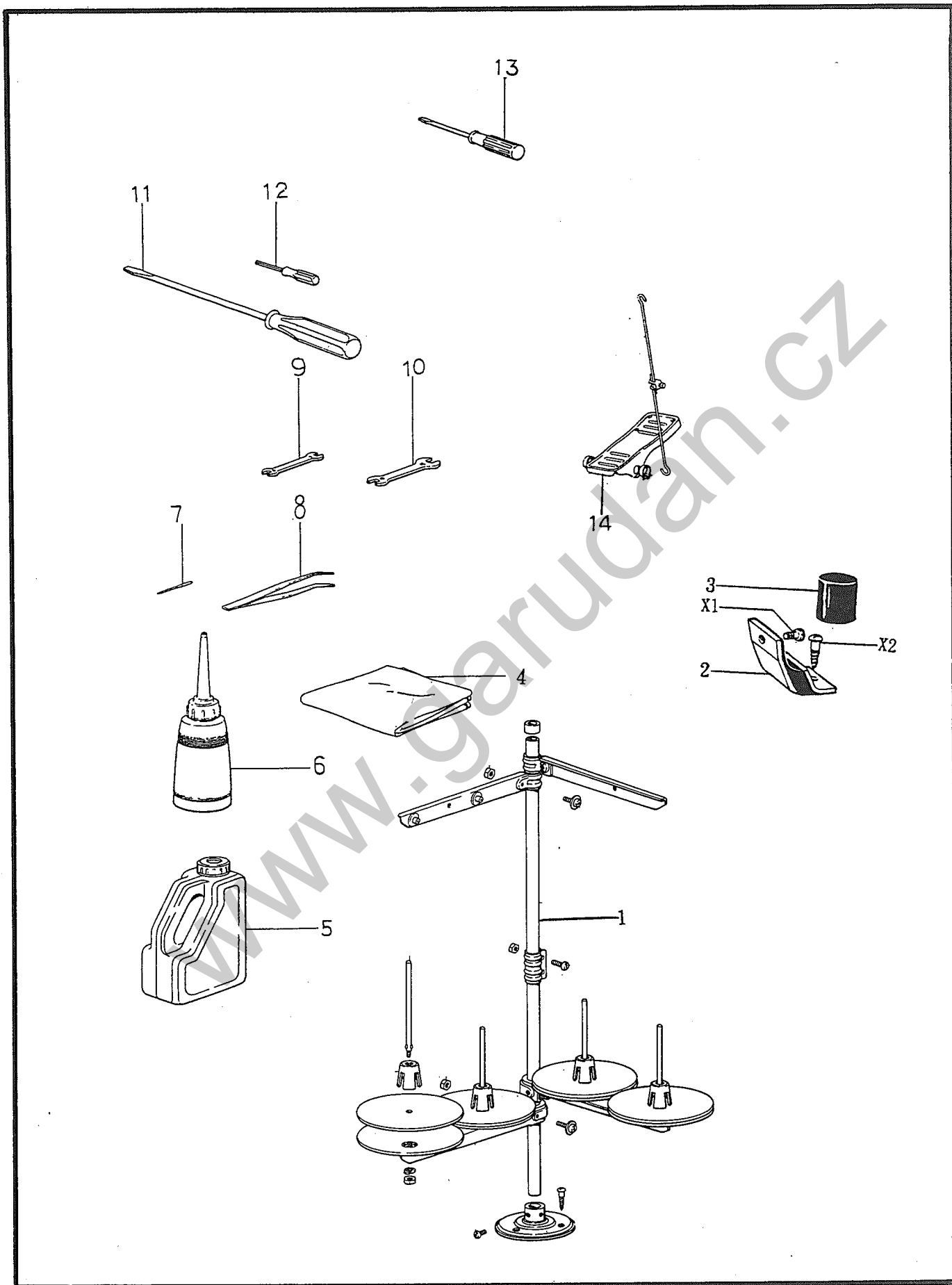
REF. NO.	NAME OF PARTS
C 1 0 - C 7 - 1	NEEDLE CLAMP EITH SCREW 1/4
C 1 0 - C 7 - 2	NEEDLE CLAMP EITH SCREW 3/16
C 1 0 - C 7 - 3	NEEDLE CLAMP EITH SCREW 1/8
C 1 0 - C 8 - 1	NEEDLE PLATE 1/4
C 1 0 - C 8 - 2	NEEDLE PLATE 3/16
C 1 0 - C 8 - 3	NEEDLE PLATE 1/8
C 1 0 - C 9 - 1	PRESSER FOOT ASSY 1/4
C 1 0 - C 9 - 2	PRESSER FOOT ASSY 3/16
C 1 0 - C 9 - 3	PRESSER FOOT ASSY 1/8
C 1 0 - C 10-1	FEED DOG 1/4
C 1 0 - C 10-2	FEED DOG 3/16
C 1 0 - C 10-3	FEED DOG 1/8
C 1 0 - C 1 2	FINGER GUARD
C 1 0 - C 1 3	NEEDLE GUARD
C 1 0 - C 1 4	LAPPER ASSY
C 1 0 - C 16-1	LOOPER 1/4
C 1 0 - C 16-2	LOOPER 3/16
C 1 0 - C 16-3	LOOPER 1/8
C 1 0 - C 17-1	LOOPER 1/4
C 1 0 - C 17-2	LOOPER 3/16
C 1 0 - C 17-3	LOOPER 1/8
C 1 0 - C 1 8	LOOPER HOLDER
C 1 0 - C 1 9	LOOPER HOLDER
C 1 0 - X 3 1	SCREW M3.57-40*10
C 1 0 - X 7 2	SCREW M3.18-40*5
C 1 0 - X 7 6	SCREW M4.37
C 1 0 - X 7 7	SCREW M4.37
C 1 0 - X 7 8	SCREW M3.75-40*8
C 1 0 - X 7 9	SCREW M4.76
C 1 0 - X 8 2	SCREW M3.57
C 1 0 - X 8 3	SCREW M4.37-40*6

DPL



925 SPARE PARTS CATALOG

REF. NO.	NAME OF PARTS
C 1 1 - 1	PRESSURE ADJUSTING SCREW
C 1 1 - 2	UOOR WHEEL PRWSSER BAR
C 1 1 - 3	SPRING
C 1 1 - 4	FIXING DEVICE SCREW
C 1 1 - 5	WHEEL DIRECTION FIXING DEVICE
C 1 1 - 6	PRESSER ROD BUSHING
C 1 1 - 7	UPPER WHEEL SEAT
C 1 1 - 8	UPPER WHEEL CONNECTON
C 1 1 - 9	ONE WAY PULL HOLDER
C 1 1 - 1 0	SCREW
C 1 1 - 1 1	NUT
C 1 1 - 1 2	ONE WAY TRIANGULAR WHEEL
C 1 1 - 1 4	ONE WAY STILL BALL
C 1 1 - 1 5	ONE WAY STILL SPRING
C 1 1 - 1 6	TRIANGULAR AXLE FIXING SCREW
C 1 1 - 1 7	CHOCK RING
C 1 1 - 1 8	FACE PLATE (UPPER)
C 1 1 - 1 9	SCREW
C 1 1 - C 2 0	UPPER WHEEL
C 1 1 - 1 A	PRESSURE ADJUSTING SCREW
C 1 1 - 2 A	NUT
C 1 1 - 3 A	PRESSER FOOT LIFTER
C 1 1 - 4 A	STUD SCREW
C 1 1 - 5 A	SPRING
C 1 1 - 6 A	PRESSER BAR GUIDE ASSEMBLY
C 1 1 - 7 A	SCREW
C 1 1 - 8 A	ROLLER PRESSER BAR LIFTER
C 1 1 - 9 A	SCREW
C 1 1 - 1 0 A	PRESSER ROD BUSHING
C 1 1 - 1 1 A	SCREW
C 1 1 - 1 2 A	UPPER WHEEL PRESSER BAR
C 1 1 - 1 3 A	SCREW
C 1 1 - 1 4 A	PULLER SUPPORTER ASSEMBLY
C 1 1 - 1 5 A	SCREW
C 1 1 - 1 6 A	ONE WAY PULL HOLDER
C 1 1 - 1 7 A	UPPER WHEEL CONNECTON
C 1 1 - 1 8 A	FACE PLATE
C 1 1 - 1 9 A	ONE WAY TRIANGULAR WHEEL
C 1 1 - C 2 0	UPPER WHEEL
C 1 1 - 2 1 A	ONE WAY STILL BALL
C 1 1 - 2 2 A	ONE WAY STILL SPRING
C 1 1 - 2 3 A	SCREW



SPARE PARTS CATALOG

REF. NO.	NAME OF PARTS
C 1 2 - 1	THREAD STAND
C 1 2 - 2	CUSHION ASSEMBLY
C 1 2 - 3	BASE CUSHION
C 1 2 - 4	HEAD COVER
C 1 2 - 5	OIL TANK
C 1 2 - 6	OILER ASSEMBLY
C 1 2 - 7	NEEDLE
C 1 2 - 8	TWEEZERS
C 1 2 - 9	SPANNER
C 1 2 - 1 0	SPANNER
C 1 2 - 1 1	SCREW DRIVER
C 1 2 - 1 2	SCREW DRIVER
C 1 2 - 1 3	SCREW DRIVER
C 1 2 - 1 4	THREADLE
C 1 2 - 1 5	SPACER <THREAD TRIMMER>
C 1 2 - X 1	SCREW 6.35
C 1 2 - X 2	SCREW 6.2*26
C 1 2 - X 2 2	SCREW 11.11
C 1 2 - X 2 3	SCREW 6.35

www.garudan.cz